

IRONMONGERY

Design & Details

Sash Windows

sollex

Window shopping ends here!

Sash Windows

Locks	1
Pulleys	2
Lift Handles	3
“D” Handles	3
Restrictors	4
Triple Draught	5
Glazing Spacers	6
Trickle Vents	7
Weight Loaded System	8
Spring Loaded System	9

Locks

Carefully designed sash fasteners which have been manufactured to the highest standard to give maximum performance.

1. Heritage Fasteners

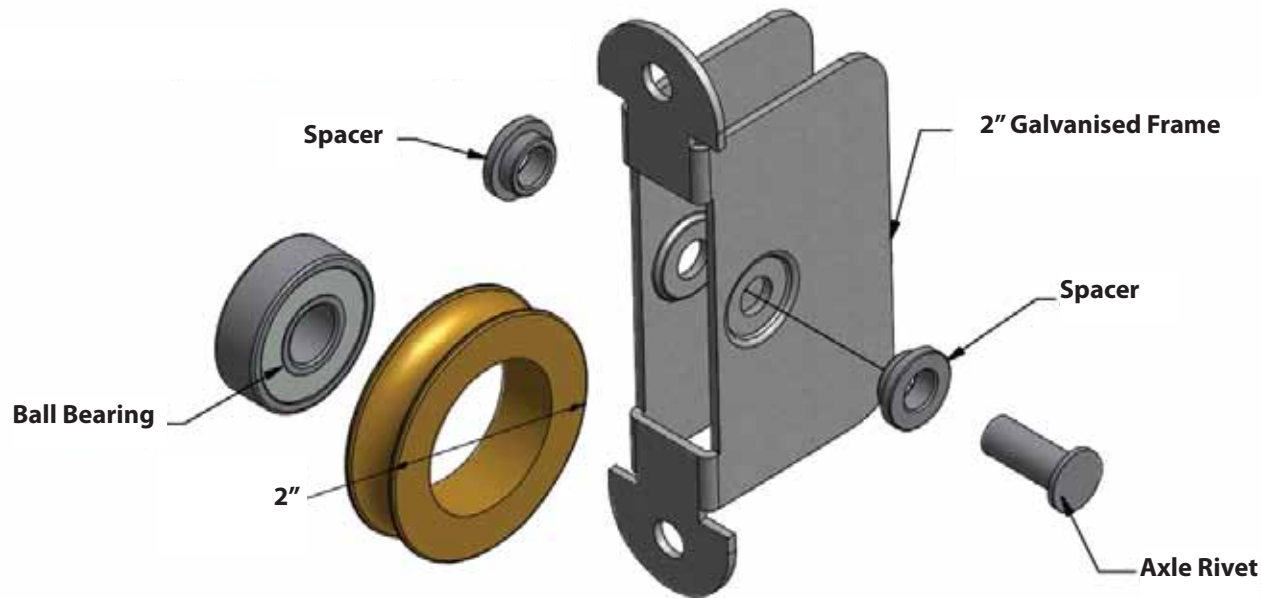


2. Alliance Fasteners

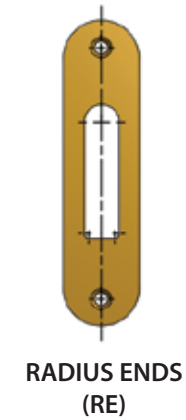


Polished Brass
Polished Chrome
Satin Chrome

Pulleys



Ball Bearing Face Plate Options



Polished Brass
Polished Chrome
Satin Chrome

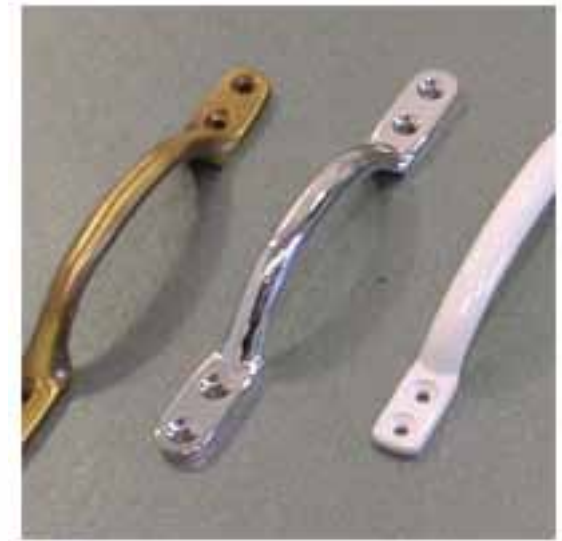
Handles



Curled Lift Handle - Interior

1.

Polished Brass
Polished Chrome
Satin Chrome



"D" Handle - Exterior

2.

Restrictors

1. Angel Ventlocks



It's an unfortunate fact that every year over 4,000 children fall through open windows.

The Angel Ventlock™ is used by some of the world's largest window companies. The product has been tested to and passed the most stringent International (ASTM F2090-2010) and European (BS EN 14351-1:2006) Standards.

- ↑
- Polished Brass
- Polished Chrome
- Satin Chrome
- ↓

2. Heavy Sash Stop - Large -



The 26mm heavy roller type sash stop is easy to use, as well as being simple and quick to install.

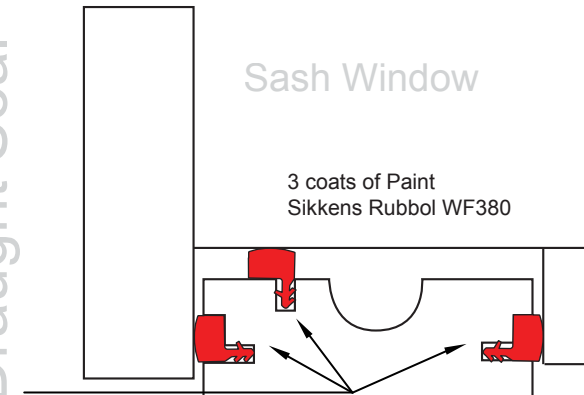
Gives security to the sash whilst slightly open for ventilation.

Each set comprises of 1 sash stop, 1 key, 1 striking plate and 2 threaded inserts so you can have two lock positions.



Triple Draught-Seal

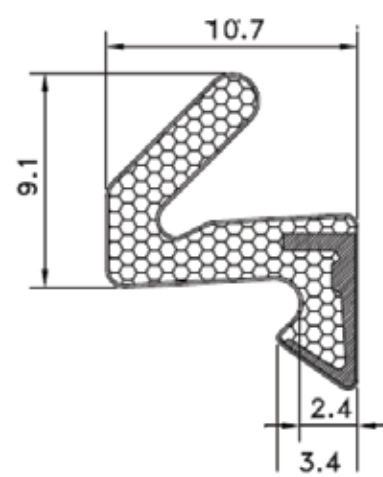
Triple Draught Seal



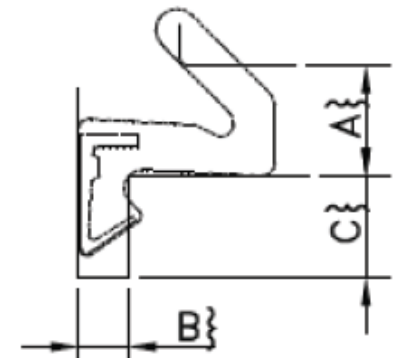
White spacer

Special silicon sealing technique

Argon filled 4/16/4 Double Glazing Units U-value below 1.4W/(m²K).

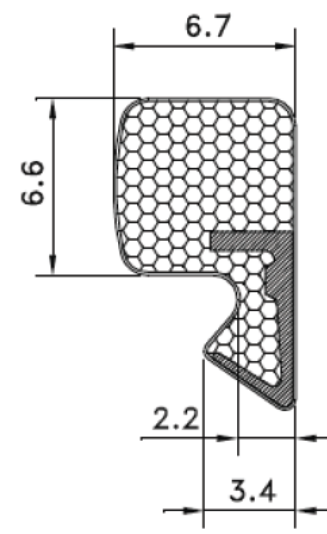


AQ™ 21

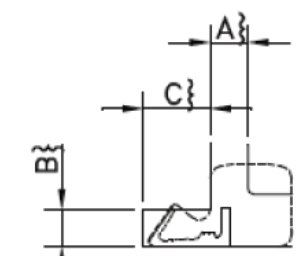


Application Details

Technical Specification: A, Seal Gap. 5.0mm MIN to 7.5mm MAX
 B, Kerf Slot WIDTH. 2.7mm NOMINAL
 C, Minimum Kerf Slot DEPTH 5.5mm



AQ™ 63



Application Details

Technical Specification: A, Seal Gap. 3.4mm MIN to 5.4mm MAX
 B, Kerf Slot WIDTH. 2.7mm NOMINAL
 C, Minimum Kerf Slot DEPTH 5.5mm

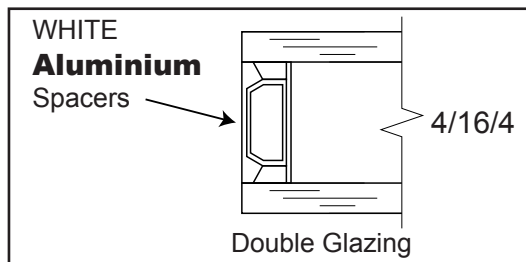
Glazing Spacers

White Thermobar



White Thermobar (with gas barrier tape) is available in a range of sizes. Select the size you are looking for from the dropdown menu below (box or stillage) to view full product information and images. PLEASE NOTE: Actual colours may vary slightly from images shown..

Product Code	B4862
Width	15.5mm (0.61 inches)
Height	6.5mm (0.256 inches)
Length	5m (16.404 ft)
Depth	-
Weight	0kg (0 lbs)

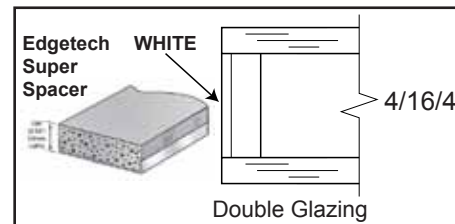


Width	15.5mm (0.61 inches)
Height	6.5mm (0.256 inches)
Length	4m (13.123 ft)

White Edgetech Super Spacer - Warm Edge Bar

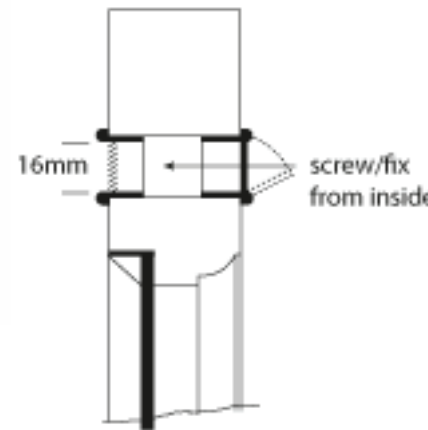
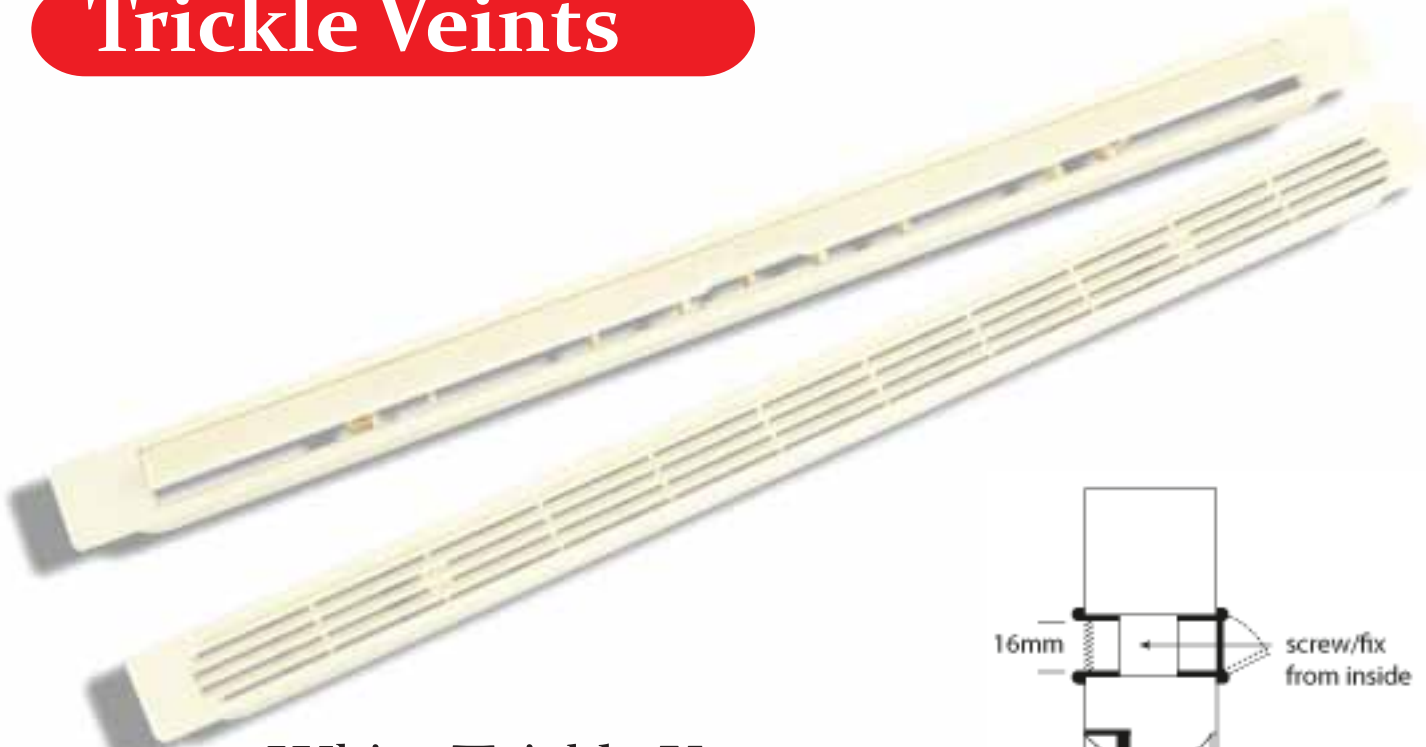


Super Spacer has 100% memory and allows for expansion and contraction, a major cause of fractures in conventional sealed units. In accelerated testing Super Spacer has been shown to last over twice as long as other dual seal systems and five times longer than single seal systems.

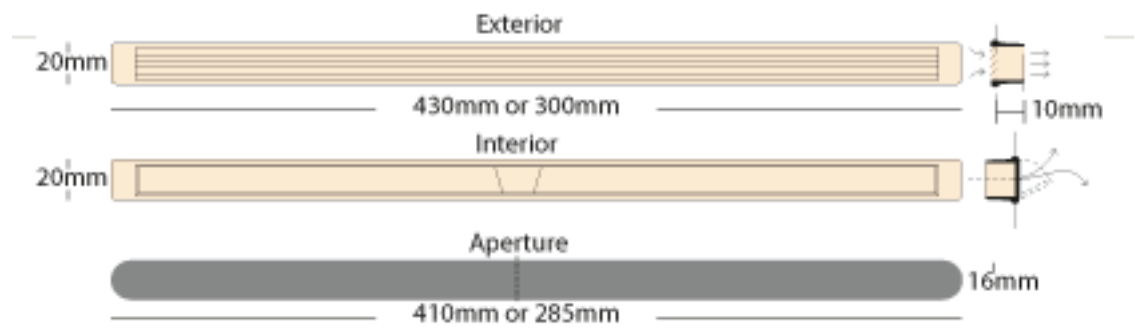


Windows using Super Spacer achieve the highest Window Energy Ratings from the British Fenestration Ratings Council.

Trickle Veints



- 300mm White Trickle Vent
- * Fits all timber sash windows
 - * Simple condensation control
 - * Fingertip vent adjustment
 - * Simple, low cost installation requiring only three hidden screws
 - * White, or Brown ABS, for long life
 - * Maintenance free



Weight Loaded System



Polyester Sash Cord
Diameter: 6mm
Max. Sash Weight: 64kg / 141lb
Unit: 100m Coil



Lead Sash Weights



Spring Loaded System

Turbo Balances

Suitable for tilt & slide, supertilt and traditional vertical sliding sashes.
A cheaper alternative to traditional sash weights, pulleys and cord or chain.

Heavy duty, double sprung balances carrying up to 45kgs making them suitable for the weighty double glazed sashes of the modern window.

Although balances as supplied fully pre-tensioned the strength of the balances can be easily adjusted underneath the sash even whilst fitted with the use of a standard slotted screwdriver.

The integral spiral rod is manufactured from Stainless Steel.

